



### Technical data

**Connection:** Thread acc. to DIN 2999

**Diameters size:** 1/4" up to 4"

**Pressure range:** PN63 (1000WOG)

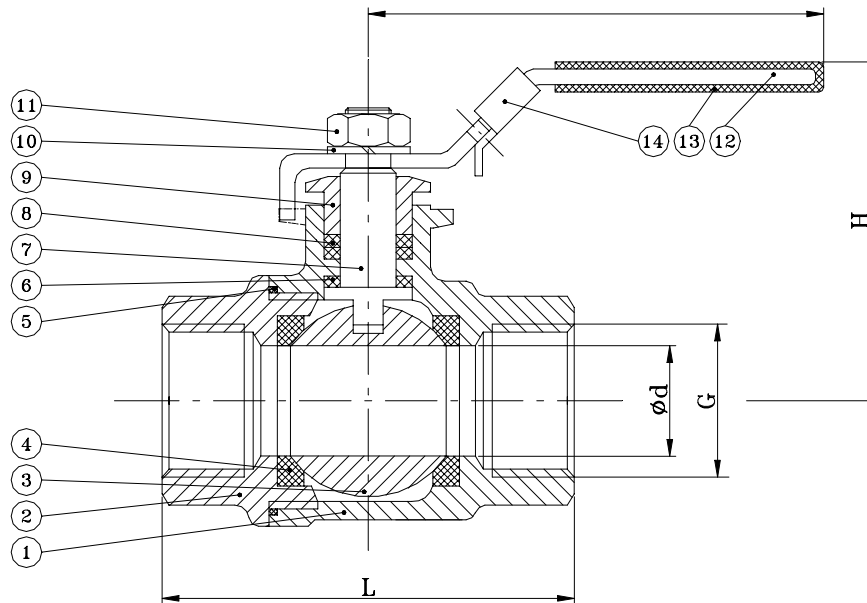
**Temperature range:** -20°C up to +200°C  
(depending from working pressure)

**Application:** Chemical, Refinery, Shipyard, Plant factory  
for media: Water, Oils, Fuels, Compressed air, Solvents etc.

### Design features:

- Full bore • Ball seats R-PTFE
- Lock device

 **More information on your inquiry!**



Dimensions in mm

Pos.	Benennung	Description	Materials	Piece
1	Gehäuse	Body	ASTM A351-CF8M	1
2	Einschraubstück	Cap	ASTM A351-CF8M	1
3	Kugel	Ball	ASTM A351-CF8M	1
4	Kugeldichtung	Ball seat	R-PTFE	2
5	Gehäusedichtung	Body seal	PTFE	1
6	Schaltwellenscheibe	Thrust washer	PTFE	1
7	Schaltwelle	Stem	ASTM A276-316	1
8	Schaltwellendichtung (Packung)	Steam packing	PTFE	1 Set
9	Stopfbuchsmutter	Gland nut	AISI 304	1
10	Federring	Spring lock washer	AISI 304	1
11	Mutter	Nut	AISI 304	1
12	Handhebel	Handle	AISI 304	1
13	Handhebelüberzug	Handle sleeve	PVC	1
14	Verriegelung	Locking plate	AISI 304	1

G	DN	Ød	L	H	W	Cv	PN	Kg
1/4"	8	11,6	61	50	102	10	63	0,26
3/8"	10	12,7	61	50	102	10	63	0,28
1/2"	15	15	64	50	102	12	63	0,30
3/4"	20	20	78	60	120	35	63	0,55
1"	25	25	90	70	159	80	63	0,84
1 1/4"	32	32	100	80	159	100	63	1,26
1 1/2"	40	40	118	90	188	150	63	2,00
2"	50	50	138	90	188	250	63	3,13
2 1/4"	65	65	168	145	245	400	63	6,00
3"	80	80	193	145	245	600	63	10,10
4"	100	100	260	180	318	-	63	20,45