



Technical data

Connection: thread acc. to DIN 2999

Diameters size: 1/4" up to 2"

Pressure range: PN63 (1000WOG)

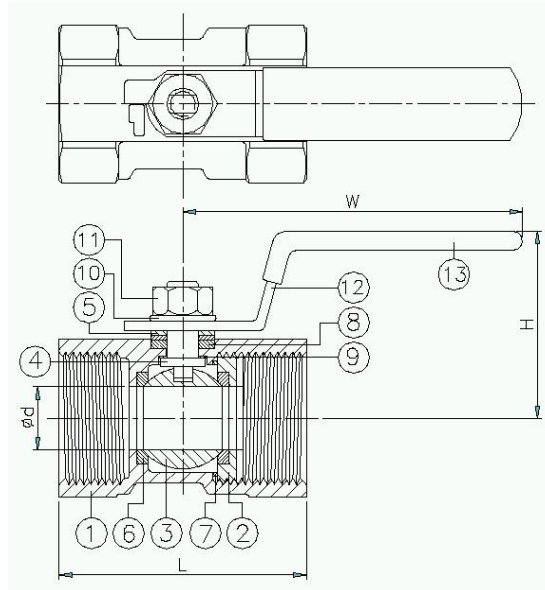
Temperature range: -20°C up to +200°C
(depending from working pressure)

Application: Chemical, Refinery, Shipyard, Plant factory
for media: Water, Oils, Fuels, Compressed air, Solvents etc.

Design features:

- Reduced bore
- Ball seats R-PTFE
- ◆ Lock device (optional)

📄 **More information on your inquiry!**



Dimensions in mm

Pos.	Benennung	Description	Materials	Piece
1	Gehäuse	Body	ASTM A351-CF8M	1
2	Einschraubstück	Retainer	ASTM A351-CF8M	1
3	Kugel	Ball	ASTM A351-CF8M	1
4	Schaltwelle	Stem	ASTM A276-316	1
5	Druckring	Gland ring	AISI 304	1
6	Kugeldichtung	Ball seat	R-PTFE	2
7	Gehäusedichtung	Body seal	PTFE	1
8	Packung	Packing	PTFE	1 Set
9	Spindelscheibe	Thrust washer	PTFE	1
10	Tellerfeder	Spring washer	AISI 304	1
11	Mutter	Nut	AISI 304	1
12	Handhebel	Handle	AISI 304	1
13	Handhebelüberzug	Handle sleeve	PVC	1

G	DN	Ød	L	H	W	Cv	PN	Kg
1/4"	8	5,0	39,0	38,0	62,5	2,5	63	0,07
3/8"	10	7,0	44,0	40,0	73,0	4,5	63	0,11
1/2"	15	9,2	56,5	51,0	85,0	7,0	63	0,18
3/4"	20	12,5	59,0	53,5	87,0	9,0	63	0,26
1"	25	16,0	71,0	56,0	107,0	16,0	63	0,42
1 1/4"	32	20,0	78,0	61,5	107,0	24,0	63	0,75
1 1/2"	40	25,0	83,0	68,0	130,0	37,0	63	0,85
2"	50	32,0	100,0	73,0	130,0	68,0	63	1,35