



Technical data

Connection: Thread and butt weld

Diameters size: 1/4" up to 2"

Pressure range: PN63 (1000 WOG)

Temperature range: -50°C up to +180°C

(depending from working pressure)

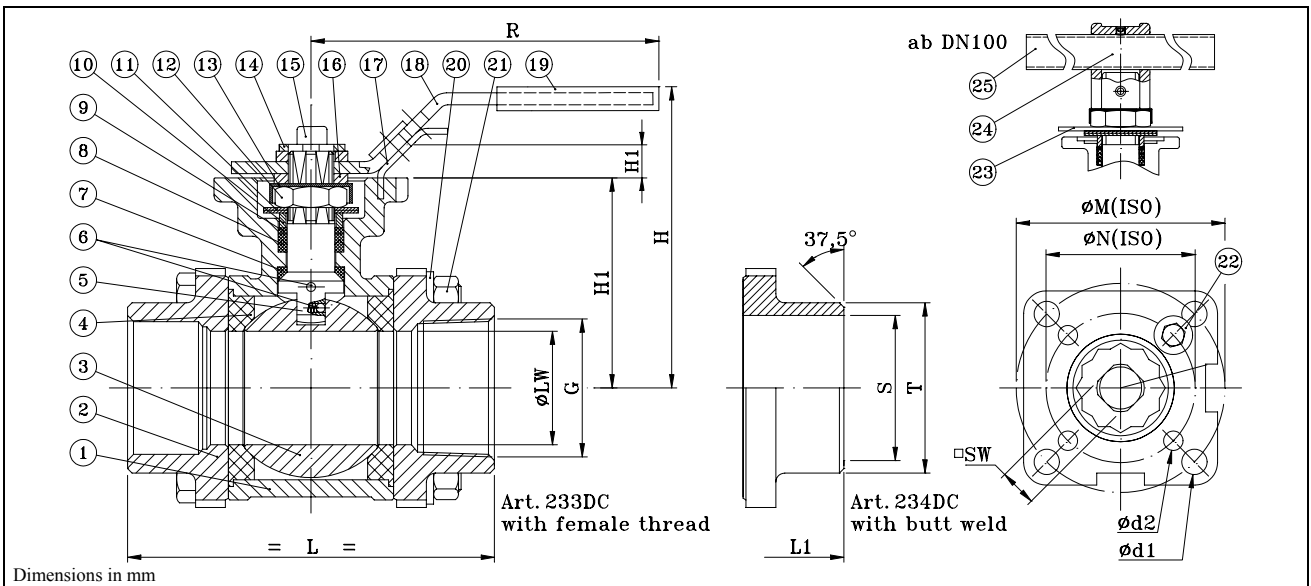
Application: Chemical, Refinery, Shipbuilding, Plant engineering

for media: Water, Oils, Fuels, Compressed air, Solvents etc.

Design features:

- Fire-Safe design and construction • Full bore
- Direct mounting pad acc. to ISO 5211 • Antistatic device
- Double stem packing and bearing • Lock device
- ♦ Thread acc. to NPT (optional)

☛ **More information on your inquiry!**



Pos.	Benennung	Description	Materials	Piece
1	Gehäuse	Body	A351-CF8M	1
2	Muffe	End cap	A351-CF8M	3
3	Kugel	Ball	A351-CF8M	1
4	Sitzdichtung	Ball seat	PTFE	4
5	Schaltwelle	Stem	316	1
6	Antistatik System	Antistatic device	304	2
7	Schaltwellensitzring	Stem seal-ring	PTFE	1
8	Schaltwelledichtung (Packung)	V-ring packing	PTFE	1Set
9	Lagerbuchse	Bushing	50%SS + 50%PTFE	1
10	Vorspannring	Gland	304	1
11	Tellerfeder	Spring washer	301	2
12	Schaltwellenmutter	Stem nut	304 (A193-8)	1
13	Sicherungsscheibe	Stop-lock-cap	304	1
14/15/16	Scheibe/Schraube/Scheibe	Washer/Nut/Washer	304	1/1/3
17	Abschließvorrichtung (1/2"-3")	Lock device (1/2"-3")	304	1
18/19	Hanhebel/Überzug (1/2"-3")	Handle/Sleeve (1/2"-3")	304/Vinyl plastic	1/1
20/21	Scheibe/Bolzen	Washer/Bolt	304/304	1 Set
22	Anschlag	Stop bolt	304 (A193-B8)	1
23	Abschließvorrichtung (4")	Lock device (4")	304	1
24/25	Schraube/Handhebel (4")	Screw/Handle (4")	303 (A193-8)/304	2/1

G	DN	øLW	L	L1	S	T	H	H1	H2	R	øM(ISO)	øN(ISO)	ød	ød1	□SW	Nm	PN	Kg
1/2	15	15	75	75	15,8	22,0	70	42,0	8,0	150	42(F04)	36(F03)	6,0	6,0	9	5	63	0,6
3/4"	20	20	80	90	21,0	27,0	77	48,5	9,0	150	42(F04)	36(F03)	6,0	6,0	9	7	63	0,8
1"	25	25	90	100	26,7	33,0	87	58,5	7,0	180	50(F05)	42(F04)	7,0	6,0	11	9	63	1,2
1 1/4"	23	32	110	110	35,1	44,0	91	63,0	7,0	180	50(F05)	42(F04)	7,0	6,0	11	11	63	1,7
1 1/2"	40	38	120	125	41,0	50,0	100	70,3	15,0	200	70(F07)	50(F05)	9,0	7,0	14	15	63	2,5
2"	50	50	140	150	52,5	61,0	108	77,7	15,0	200	70(F07)	50(F05)	9,0	7,0	14	23	63	3,7
2 1/2"	65	63,5	185	190	62,7	76,0	149	100,0	15,0	275	100(F10)	70(F07)	11,0	7,0	17	37	63	8,2
3"	80	76	205	220	78,0	92,0	157	108,0	15,0	275	100(F10)	70(F07)	11,0	7,0	17	51	63	13,3
4"	100	100	240	270	102,8	115,0	218	152,0	15,0	420	100(F10)	-	11,0	-	22	82	63	22,2