



Technical data

Connection: Thread acc. to ISO 228/1

Diameters size: 1/4" up to 2"

Pressure range: PN30 up to PN10

Temperature range: Ambience -20°C up to +80°C
medium -20°C up to +120°C (depending from working pressure)

Application: Sanitary-, Chemical industry, Plant engineering etc.

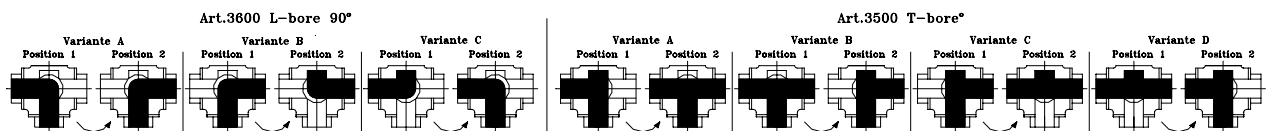
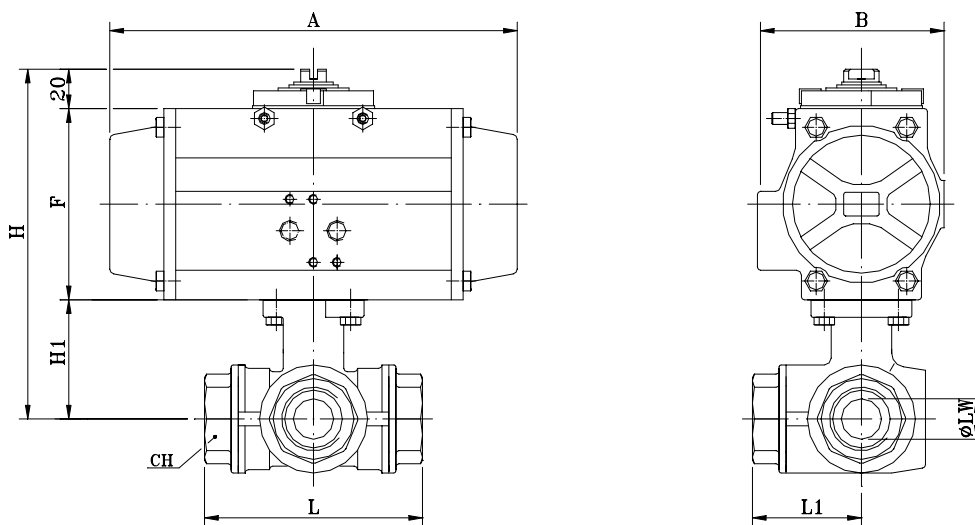
Operating method: Pneumatic, double- or single-acting, open or closed with spring force

Air pressure: 2-10 bar

Control medium: Compressed air or inert gases

Pneumatic control: 3/2- or 5/2- way control valve, direct-mounting or separate

☞ **More information on your inquiry!**



Maße in mm

G	ØLW	L	L1	H1	CH	PN	Actuator*	H	F	A	B	Kg
1/4"	11	67	33,5	30,5	22	30	DA32	95,5	45	110	45	1,1
							SR52	120,0	69,5	139,5	71	1,8
3/8"	11	67	33,5	30,5	22	30	DA32	95,5	45	110	45	1,1
							SR52	120,0	69,5	139,5	71	1,8
1/2"	11	77	38,5	32,7	27	30	DA32	97,7	45	110	45	1,2
							SR52	122,2	69,5	139,5	71	1,9
3/4"	15	87	43,5	41,5	32	30	DA52	131,0	69,5	139,5	71	2,2
							SR63	142,0	80,5	162	80,5	2,9
1"	20	105	52,5	47,0	41	16	DA52	136,5	69,5	139,5	71	2,9
							SR63	147,5	80,5	162	80,5	3,6
1 1/4"	25	122,5	61,3	59,5	50	10	DA52	149,0	69,5	139,5	71	3,8
							SR63	160,0	80,5	162	80,5	4,6
1 1/2"	32	138,5	69,3	73,9	55	10	DA63	174,4	80,5	162	80,5	6,1
							SR75	190,9	97	207	94,5	7,8
2"	40	166	83,0	85,0	70	10	DA75	202,0	97	207	94,5	10,9
							SR100	226,5	121,5	271,5	123	14,9

*Dimensioning: Water 20°C / 6bar, control pressure 6bar. Actuator dimensioning change according to the medium and operating conditions!