



**Technical data**

**Connection:** Thread acc. to ISO 228/1

**Diameters size:** 1/2" up to 2"

**Pressure range:** PN64

**Temperature range:** Ambience -20°C up to +80°C

medium -20°C up to +120°C (depending from working pressure)

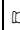
**Application:** Chemical-, Refinery industry, Plant engineering etc.

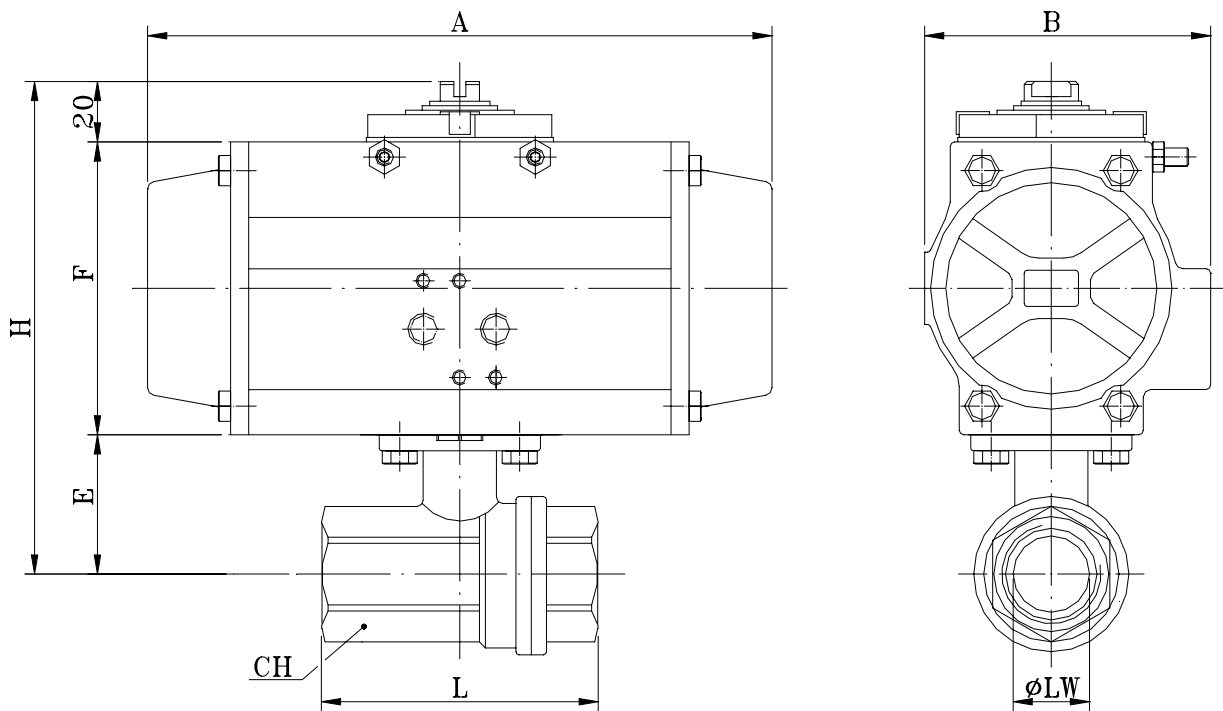
**Operating method:** Pneumatic, double- or single-acting, open or closed with spring force

**Air pressure:** 2-10 bar

**Control medium:** Compressed air or inert gases

**Pneumatic control:** 3/2- or 5/2- way control valve, direct-mounting or separate

 **More information on your inquiry!**



Dimensions in mm

G	øLW	L	E	CH	KV	Actuator*	H	F	A	B	Kg
1/2"	14	67	32,5	27	16,3	DA-32	97,5	45	110	45	0,9
						SR-52	122,5	70	140	71	1,6
3/4"	19	78	34,5	32	16,3	DA-32	99,5	45	110	45	1,0
						SR-52	124,5	70	140	71	1,7
1"	24	90	44,5	41	29,5	DA-32	109,5	45	110	45	1,3
						SR-52	134,5	70	140	71	2,0
1 1/4"	30	100	48,0	50	43	DA-32	113,0	45	110	45	1,7
						SR-52	138,0	70	140	71	2,4
1 1/2"	38	112	63,0	55	230	DA-52	153,0	70	140	71	2,9
						SR-63	164,0	81	162	81	3,6
2"	50	135	72,3	70	265	DA-52	162,3	70	140	71	4,2
						SR-63	173,3	81	162	81	4,9

\*Dimensioning: Water 20°C / 6bar, control pressure 6bar. Actuator dimensioning change according to the medium and operating conditions!