



Technical data

Connection: Thread acc. to ISO 228/1

Diameters size: 1/2" up to 2"

Pressure range: PN64

Temperature range: -20°C up to +160°C

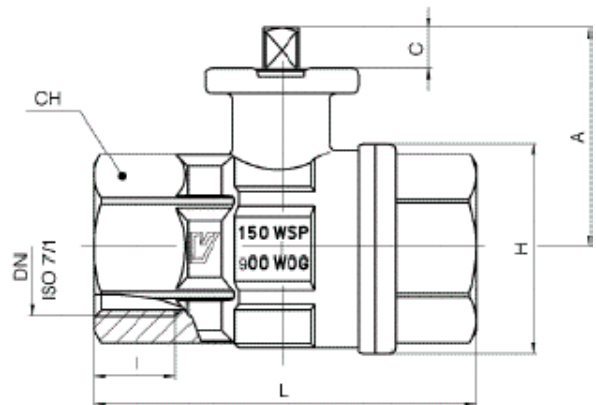
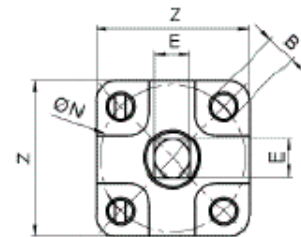
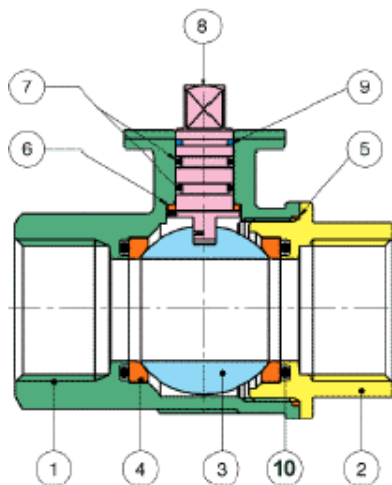
(depending from working pressure)

Application: : Chemical, Refinery, Shipyard, Plant factory
for media: Water, Oils, Fuels, Compressed air, Solvents etc.

Design features:

- Full bore • TA-Luft acceptance
- Direct mounting pad acc. to ISO 5211
- ♦ Thread acc. to NPT, PEEK-Seat (optional)

☞ **More information on your inquiry!**



Dimensions in mm

Pos.	Benennung	Description	Materials	Piece
1	Gehäuse	Body	CF8M	1
2	Muffe	End connection	CF8M	1
3	Kugel	Ball	INOX AISI 316	1
4	Kugeldichtung	Ball seat	PTFE (Teflon)	2
5	Dichtung	Seat	PTFE (Teflon)	1
6	Spindelscheibe	Thrust washer	PTFE (Teflon)	1
7	O-Ring	O-ring	FKM (Viton)	2
8	Spindel	Stem	INOX AISI 316	1
9	Spindeldichtung	Stem seat	PTFE (Teflon)	1
10	O-Ring	O-ring	FKM (Viton)	2

DN	I	L	H	CH	A	C	E	ØN	B	Z	KV	PN	Kg
1/2"	15	67	34,5	27	41,5	9	9	36F03	6	38	16,3	64	0,30
3/4"	16,3	78	42	32	43,5	9	9	36F03	6	38	29,5	64	0,40
1"	19,1	90	51,5	41	53,5	9	9	36F03	6	38	43	64	0,69
1 1/4"	21,4	100	64,5	50	57	9	9	36F03	6	38	89	64	1,04
1 1/2"	21,4	112	77	55	74	11	11	50F05	7	50	230	64	1,68
2"	25,7	135	97	70	83,25	11	11	50F05	7	50	265	64	2,95