



Technical data

Connection: Thread acc. to ISO 228/1

Diameters size: 1/4" up to 2"

Pressure range: PN64 up to PN25

Temperature range: -20°C up to +160°C

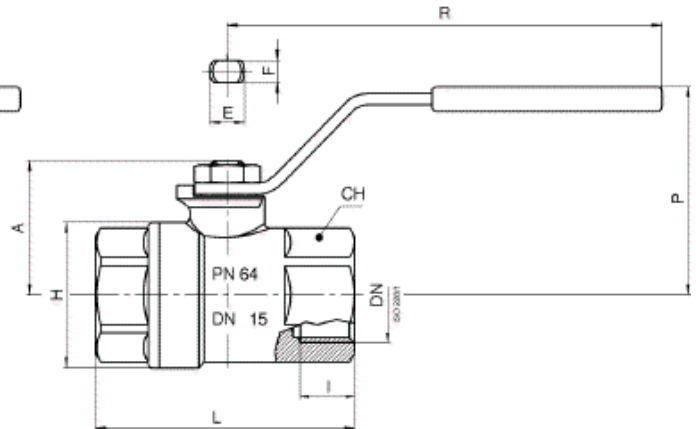
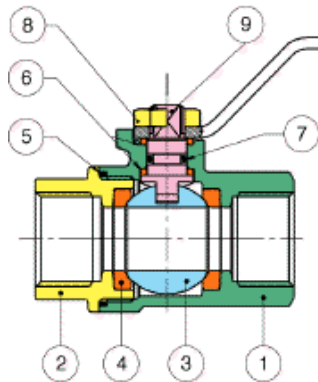
(depending from working pressure)

Application: Chemical, Refinery, Shipyard, Plant factory
for media: Water, Oils, Fuels, Compressed air, Solvents etc.

Design features:

- Full bore
- TA-Luft acceptance
- ◆ Thread acc. to NPT (optional)

 **More information on your inquiry!**



Dimensions in mm

Pos.	Benennung	Description	Materials	Piece
1	Gehäuse	Body	INOX AISI 316 - CF8M	1
2	Muffe	End connection	INOX AISI 316 - CF8M	1
3	Kugel	Ball	INOX AISI 316	1
4	Kugeldichtung	Ball seat	PTFE (Teflon)	2
5	Dichtung	Seat	PTFE (Teflon)	1
6	Spindelscheibe	Thrust washer	PTFE (Teflon)	2
7	O-Ring	O-ring	FKM (Viton)	1
8	Mutter	Nut	INOX AISI 304	1
9	Spindel	Stem	INOX AISI 316	1
10	Handhebel	Handle	INOX AISI 430	1

DN	A	H	L	R	CH	I	E	F	P	KV	PN	Kg
1/4"	28	30	53,5	110,5	22	10	8	5	44,5	5,4	64	0,22
3/8"	28	30	53,5	110,5	22	10	8	5	44,5	6	64	0,22
1/2"	30,5	32,5	60	110,5	27	13	8	5	47	16,3	64	0,25
3/4"	37	40	70	131,5	32	14	10	7	54,5	29,5	40	0,45
1"	41	49	79	131,5	41	17	10	7	58,5	43	40	0,85
1 1/4"	50	62	91	174,5	50	19	12	8	70	89	25	1,20
1 1/2"	57	75	103	174,5	55	19,5	12	8	76,5	230	25	1,80
2"	66	95	124	174,5	70	22,5	12	8	86	265	25	2,70