


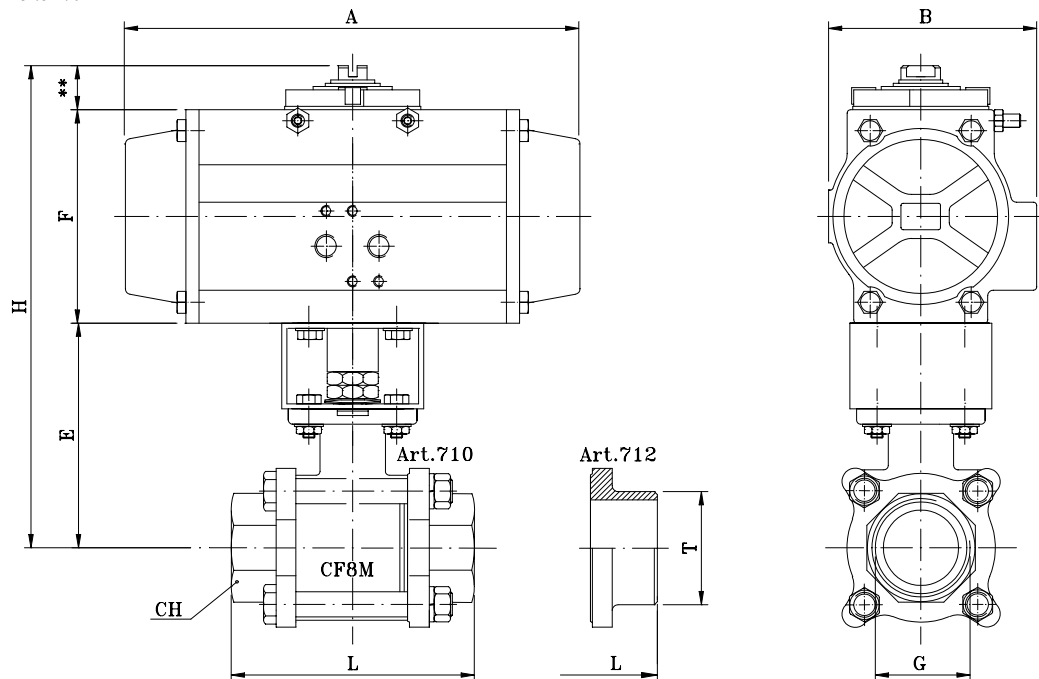


Technical data

Connection: Thread and butt weld
Diameters size: 1/4" up to 4"
Pressure range: PN64 up to PN16
Temperature range: Ambience -20°C up to +80°C
 medium -20°C up to +160°C (depending from working pressure)
Application: Chemical-, Refinery industry, Plant engineering etc.
Operating method: Pneumatic, double- or single-acting, open or closed with spring force
Air pressure: 2-10 bar
Control medium: Compressed air or inert gases
Pneumatic control: 3/2- or 5/2- way control valve, direct-mounting or separate

 **More information on your inquiry!**

** 20mm type 32 to 100
30mm type 115 to 270



Dimensions in mm

G	L	T	E	CH	PN	Actuator*	H	F	A	B	Kg
1/4"	65	-	32,0	22	64	DA-32	97,0	45	110	45	1,1
						SR-52	121,5	69,5	139,5	71	1,8
3/8"	65	17,1	32,0	22	64	DA-32	97,0	45	110	45	1,1
						SR-52	121,5	69,5	139,5	71	1,8
1/2"	65	21,3	32,0	27	64	DA-32	97,0	45	110	45	1,1
						SR-52	121,5	69,5	139,5	71	1,8
3/4"	76	26,7	36,5	32	40	DA-52	126,0	69,5	139,5	71	1,7
						SR-63	137,0	80,5	162	80,5	2,6
1"	92	33,4	40,5	41	40	DA-52	130,0	69,5	139,5	71	2,3
						SR-63	141,0	80,5	162	80,5	3,1
1 1/4"	106,5	42,2	48,0	50	25	DA-52	137,5	69,5	139,5	71	2,7
						SR-63	148,5	80,5	162	80,5	3,5
1 1/2"	116	48,3	55,0	55	25	DA-63	155,5	80,5	162	80,5	3,8
						SR-85	183,5	108,5	237,5	106	6,6
2"	136	60,3	62,0	70	25	DA-75	179,0	97	207	94,5	5,9
						SR-100	203,5	121,5	271,5	123	9,9
2 1/2"	153,5	73,0	75,0	90	16	DA-85	203,5	108,5	237,5	106	12,0
						SR-115	246,5	141,5	328	137	18,9
3"	180	88,9	86,0	105	16	DA-85	214,5	108,5	237,5	106	17,1
						SR-125	269,5	153,5	366	148	27,1
4"	217	114,3	102,5	130	16	DA-100	244,0	121,5	271,5	123	27,6
						SR-125	286,0	153,5	366	148	35,9

*Dimensioning: Water 20°C / 6bar, control pressure 6bar. Actuator dimensioning change according to the medium and operating conditions!