



Technical data

Connection: DIN-flange (ANSI optional)

Diameters size: DN15 up to 150

Pressure range: PN10/16

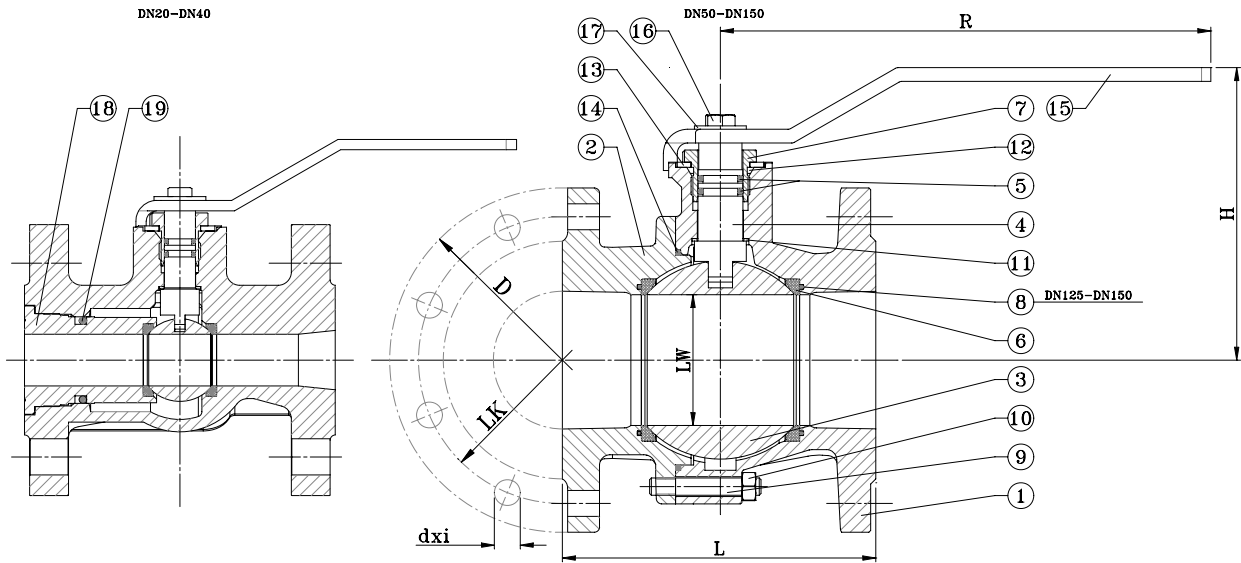
Temperature range: -10°C up to +100°C
(depending from working pressure)

Application: Chemical, Refinery, Shipbuilding, Plant engineering
for media: Water, Oils, Fuels, Compressed air etc.

Design features:

- Full bore acc. to ISO
- ◆ Face to face acc. to DIN 3202 F4/F5

📄 **More information on your inquiry!**



Dimensions in mm

Pos.	Benennung	Description	Materials	Materials (optional)	Piece
1	Gehäuse	Body	GG-25		1
2	Gehäuseflansch	Body flange	GG-25		1
3	Kugel	Ball	Brass chrome plated	AISI 316	1
4	Schaltwelle	Stem	Brass	AISI 304	1
5	O-Ring	O-ring	NBR		2
6	Kugeldichtung	Ball seat	PTFE+Graphit		2
7	Buchse	Bushing	Brass	AISI 316	1
8	O-Ring	O-ring	NBR		2
9	Bolzen	Bolt	Steel		4-12
10	Mutter	Nut	Steel		4-12
11	Anlauftring	Ring	PTFE		1
12	O-Ring	O-ring	NBR		1
13	Anschlag	Plate	Steel		1
14	O-Ring	O-ring	NBR		1
15	Handhebel	Handel	Steel		1
16	Schraube	Screw	Steel		1
17	Scheibe	Washer	Steel		1
18	Ring	Ring	GG-25		1
19	O-Ring	O-ring	NBR		1

DN	LW	L	D	K	dxi	H	R	ISO	Nm	PN	Kg
15	20	120	105	65	14x4	85	130	-	12	16	2,7
20	20	120	105	75	14x4	85	130	-	12	16	2,7
25	25	125	115	85	14x4	90	170	-	15	16	3,6
32	32	130	140	100	18x4	100	170	-	18	16	4,8
40	40	140	150	110	18x4	118	140	F05	20	16	6,2
50	50	150	165	125	18x4	125	220	F05	30	16	9,0
65	63	170	185	145	18x4	152	220	F05	40	16	12,2
80	76	180	200	160	18x8	166	284	F07	70	16	15,5
100	95	190	220	180	18x8	180	360	F07	100	16	20,0
125	120	200	250	210	18x8	225	447	F10	180	16	28,0
150	145	210	285	240	22x8	242	560	F10	250	16	38,5