



Technical data

Connection: Thread acc. to DIN 228/1

Diameters size: 1/8" up to 1/2"

Pressure range: PN12

Temperature range: -20°C up to +90°C
(depending from working pressure)

Materials:

- Body: brass nickel plated
- Ball: brass chrome plated
- Ball seals: PTFE
- Handle: nylon, black

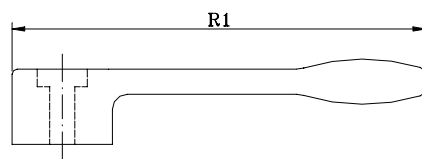
Application: House- and sanitary technology, plant factory for media: Water, Oils, Fuels, Compressed air etc.

Design features:

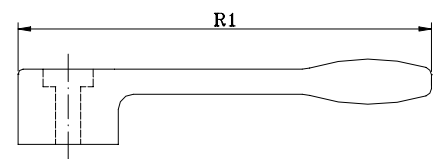
- Reduced bore
- Silicon free
- Maintenance free
- Stem seal with 2 O-rings (Viton/NBR)
- ◆ Oil and grease free (optional)

☞ **More information on your inquiry!**

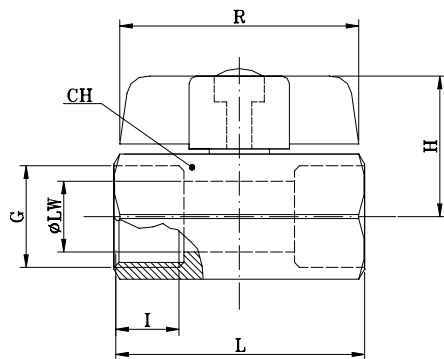
Art. 346



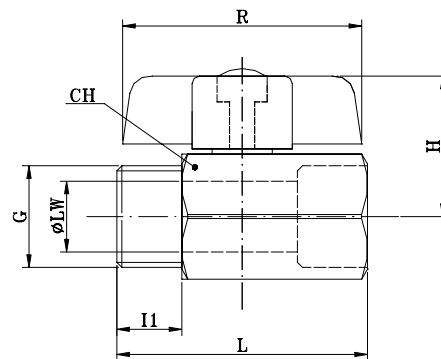
Art. 349



Art. 345 (t-handle)



Art. 348 (t-handle)



Dimensions in mm

G	1/8"	1/4"	3/8"	1/2"	-	-	-	-	-	-	-	-
øLW	6	8	8	10	-	-	-	-	-	-	-	-
L	41,5	41,5	41,5	49,0	-	-	-	-	-	-	-	-
H	31,5	31,5	31,5	33,0	-	-	-	-	-	-	-	-
R	39	39	39	39	-	-	-	-	-	-	-	-
R1	72	72	72	72	-	-	-	-	-	-	-	-
I	10,0	11	11	13,0	-	-	-	-	-	-	-	-
II	10,0	11	11	13,0	-	-	-	-	-	-	-	-
CH	21	21	21	25	-	-	-	-	-	-	-	-
PN	12	12	12	12	-	-	-	-	-	-	-	-
Kg(Art.345)	0,124	0,114	0,102	0,148	-	-	-	-	-	-	-	-