



### Technical data

**Connection:** DIN-flange

**Diameters size:** DN15 up to DN100

**Pressure range:** PN16 (DN40 optional)

**Temperature range:** -20°C up to +160°C

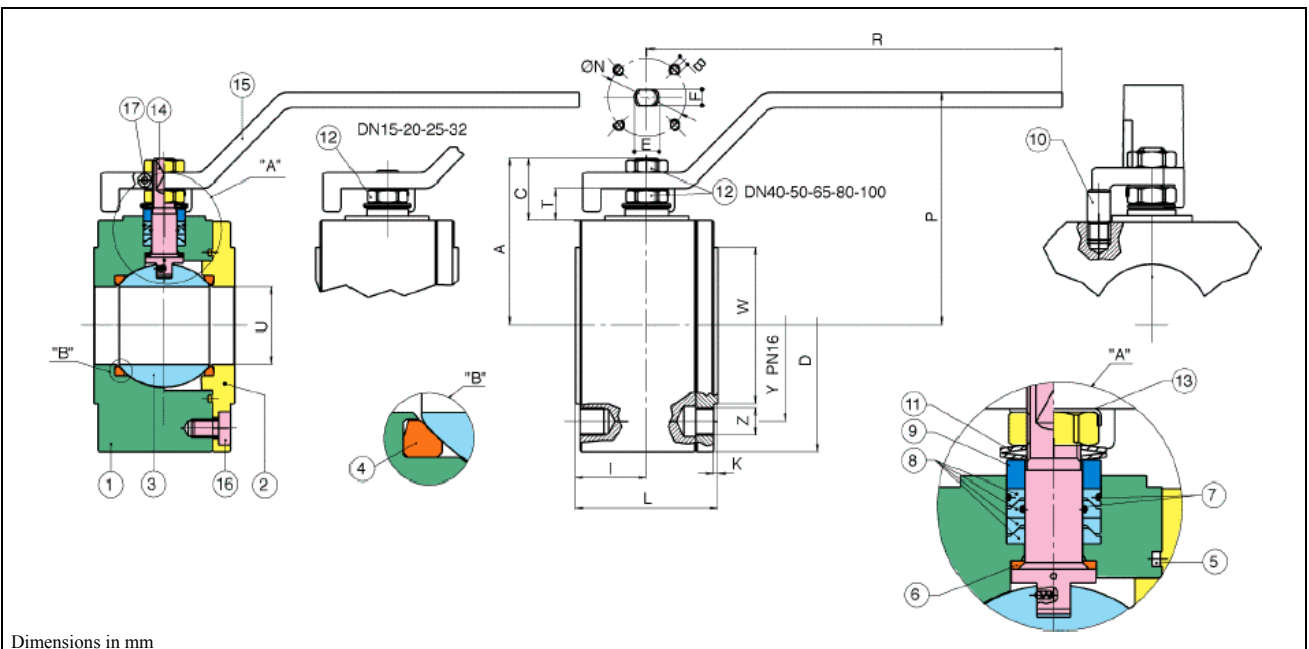
(depending from working pressure)

**Application:** Chemical, Refinery, Shipbuilding, Plant engineering for media: Water, Oils, Fuels, Compressed air, Solvent etc.

### Design features:

- Full bore acc. ISO • Antistatic device
- ISO-bore for automation • End connection
- TA-Luft certificated • Fire-Safe design

➤ **More information on your inquiry!**



Pos.	Benennung	Description	Materials	Piece
1	Gehäuse	Body	AISI F316/DIN 1.4401	1
2	Flansch	End connection	AISI F316/DIN 1.4401	1
3	Kugel	Ball	DN15-40 F316/1.4401 DN50-100 CF8M/1.4401	1
4	Kugeldichtung	Ball seat	PTFE (Teflon)	2
5	Flanschdichtung	Seat	PTFE (Teflon)	1
6	Spindelscheibe	Thrust washer	PTFE (Teflon)	1
7	O-Ring	O-ring	FKM (Viton)	1
8	Spindichtung	Stem seat	PTFE (Teflon)	2-4
9	Vorspannring	Packing gland	AISI F316/DIN 1.4310	1
10	Anschlag	Stop	A2	1
11	Tellerfeder	Spring washer	AISI F326/DIN 1.4401	2
12	Mutter	Nut	A2	1-2
13	Sicherheitsscheibe	Exter. tab washer	AISI F316/DIN 1.4401	1
14	Spindel	Stem	AISI F316/DIN 1.4401	1
15	Handhebel	Handle	CF8M/DIN 1.4408	1
16	Schraube	Screw	A2	4-8
17	Schraube	Screw	A2	1

DN	U	D	Y	Z	I	L	R	P	A	C	T	W	K	E	F	N	B	KV	PN	Kg
15	15	95	65	4xM12	22	53	125	80	50	17	11	45	2	M10	7	42F04	M5	16,6	16	2,3
20	19	105	75	4xM12	22	53	125	83,5	52,5	17	10	58	2	M10	7	42F04	M5	29,5	16	2,8
25	25	115	85	4xM12	24,5	57	175	99,5	73	28	17,5	68	2	M12	8	42F04	M5	43	16	3,9
32	30	140	100	4xM16	32,5	65	175	103	76,5	27	16,5	78	2	M12	8	42F04	M5	89	16	8,5
40	38	150	110	4xM16	39,5	79	250	128	98	38,5	19	88	3	M16	12	50F05	M6	230	16	9,1
50	50	165	125	4xM16	42,5	85	250	137	107	38,5	19	102	3	M16	12	50F05	M6	265	16	11,9
65	64	185	145	4xM16	51,5	103	320	157	132	50,5	23,5	122	3	M24	18	70F07	M8	540	16	18,3
80	76	200	160	8xM16	61	122	320	166,5	141	50,5	23,5	138	3	M24	18	70F07	M8	873	16	23,7
100	95	220	180	8xM16	77,5	155	400	187	161,5	61	31	158	3	M27	20	102F10	M10	1390	16	36