



Technical data

Connection: DIN-Flange (ANSI-Flange optional)

Diameters size: DN15 up to DN200

Pressure range: PN16 (PN40 optional)

Temperature range: Ambience -20°C up to +80°C

medium -20°C up to +160°C (depending from working pressure)

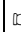
Application: Chemical-, Refinery industry, Plant engineering etc.

Operating method: Pneumatic, double- or single-acting, open or closed with spring force

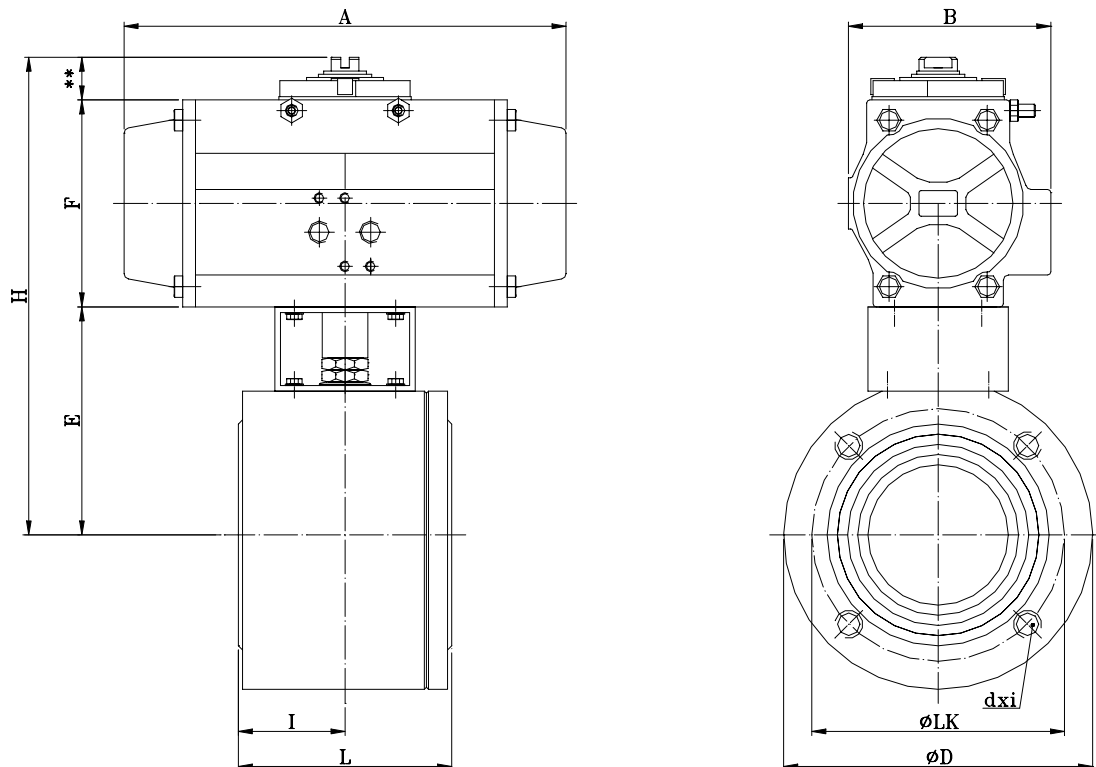
Air pressure: 2-10 bar

Control medium: Compressed air or inert gases

Pneumatic control: 3/2- or 5/2- way control valve, direct-mounting or separate

 **More information on your inquiry!**

** 20mm type 32 to 100
30mm type 115 to 270



Dimensions in mm

DN	L	I	E	øD	øLK	dxi	KV	Actuator*	H	F	A	B	Kg
15	53	22,0	73,0	90	65	4xM12	16,3	DA-32	138,0	45	110	45	3,0
								SR-52	163,0	70	140	71	3,7
20	53	22,0	75,5	100	75	4xM12	29,5	DA-52	165,5	70	140	71	4,0
								SR-63	176,5	81	162	81	4,8
25	57	24,5	85,0	110	85	4xM12	43	DA-52	175,0	70	140	71	5,2
								SR-63	186,0	81	162	81	5,9
32	65	32,5	89,5	130	100	4xM16	89	DA-52	179,5	70	140	71	9,8
								SR-63	190,5	81	162	81	10,5
40	79	39,5	109,5	140	110	4xM16	230	DA-63	210,5	81	162	81	10,8
								SR-85	238,5	109	238	106	13,5
50	85	42,5	118,5	150	125	4xM16	265	DA-75	235,5	97	207	95	14,8
								SR-100	260,5	122	272	123	17,8
65	103	51,5	131,5	175	145	4xM16	540	DA-85	260,5	109	238	106	22,0
								SR-115	303,5	142	328	137	29,2
80	122	61,0	140,5	190	160	8xM16	873	DA-85	269,9	109	238	106	27,4
								SR-125	324,5	154	366	148	37,4
100	155	77,5	160,5	220	180	8xM16	1390	DA-100	302,5	122	272	123	41,5
								SR-125	344,5	154	366	148	49,9

*Dimensioning: Water 20°C / 6bar, control pressure 6bar. Actuator dimensioning change according to the medium and operating conditions!