



Technical data

Connection: DIN-flange (ANSI-flange optional)

Diameters size: DN15 up to DN100

Pressure range: PN16

Temperature range: Ambience -20°C up to +80°C

medium -20°C up to +160°C (depending from working pressure)

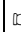
Application: Chemical-, Refinery industry, Plant engineering etc.

Operating method: Pneumatic, double- or single-acting, open or closed with spring force

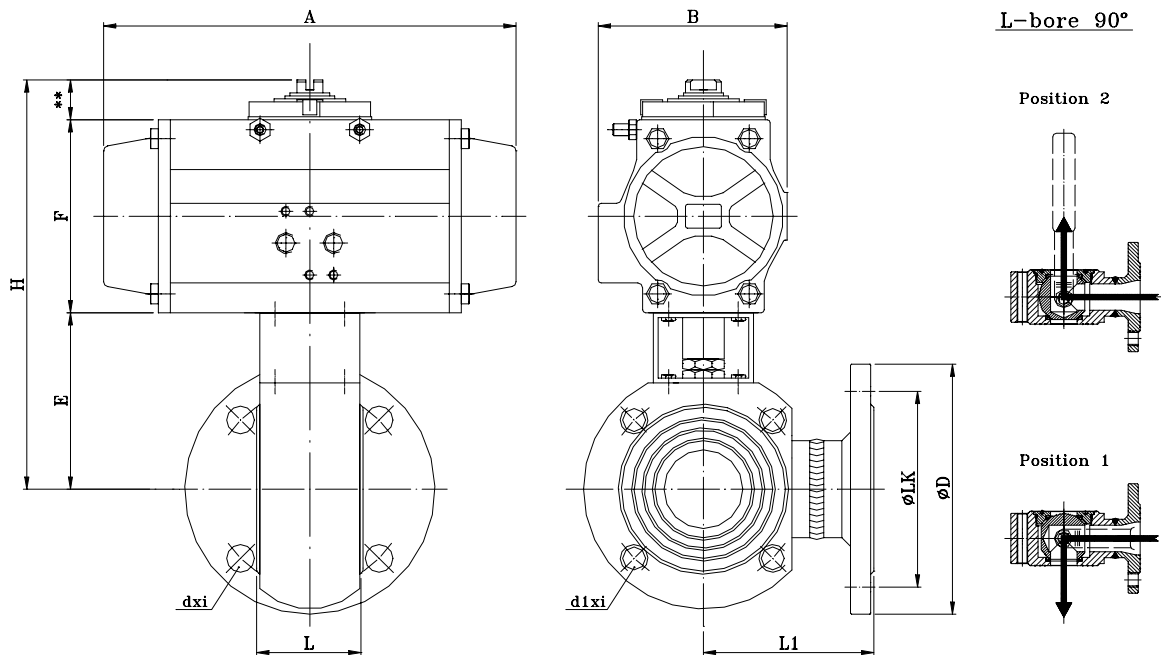
Air pressure: 2-10 bar

Control medium: Compressed air or inert gases

Pneumatic control: 3/2- or 5/2- way control valve, direct-mounting or separate

 **More information on your inquiry!**

** 20mm type 32 to 100
30mm type 115 to 270



Dimensions in mm

DN	L	L1	E	øD	øLK	dxi	d1xi	Actuator*	H	F	A	B	Kg
15	40	76	71,5	95	65	ø14x4	M12x4	DA-32	136,5	45	110	45	3,0
								SR-52	161,5	70	140	71	3,7
20	40	82	76,0	105	75	ø14x4	M12x4	DA-52	166,0	70	140	71	4,1
								SR-63	177,0	81	162	81	4,9
25	46	86	81,0	115	85	ø14x4	M12x4	DA-52	171,0	70	140	71	5,2
								SR-63	182,0	81	162	81	5,9
32	58	100	88,5	140	100	ø18x4	M16x4	DA-52	178,5	70	140	71	7,5
								SR-63	189,5	81	162	81	8,2
40	71	105	103,5	150	110	ø18x4	M16x4	DA-63	204,5	81	162	81	10,2
								SR-85	232,5	109	238	106	13,0
50	82	115	110,0	165	125	ø18x4	M16x4	DA-75	227,0	97	207	95	15,2
								SR-100	252,0	122	272	123	19,2
65	106	125	126,5	185	145	ø18x4	M16x4	DA-85	255,5	109	238	106	22,8
								SR-115	298,5	142	328	137	30,0
80	122	150	135,0	200	160	ø18x8	M16x8	DA-85	254,0	109	238	106	28,2
								SR-125	319,0	154	366	148	38,2
100	152	159	161,5	220	180	ø18x8	M16x8	DA-100	303,5	122	272	123	44,1
								SR-125	345,5	154	366	148	52,1
125	196	190	184,5	250	210	ø18x8	M16x8	DA-100	326,5	122	272	123	68,6
								SR-125	368,5	154	366	148	76,9
150	242	210	242,0	285	240	ø22x8	M20x8	DA-115	414,0	142	328	137	117,0
								SR-160	460,0	188	522	187	133,4

*Dimensioning: Water 20°C / 6bar, control pressure 6bar. Actuator dimensioning change according to the medium and operating conditions!