



Technical data

Connection: DIN-flange (ANSI-flange optional)

Diameters size: D15 up to DN 50

Pressure range: PN10 up to PN 400

Temperature range: -20°C up to +90°C (optional max. 220°C)
(depending from working pressure)

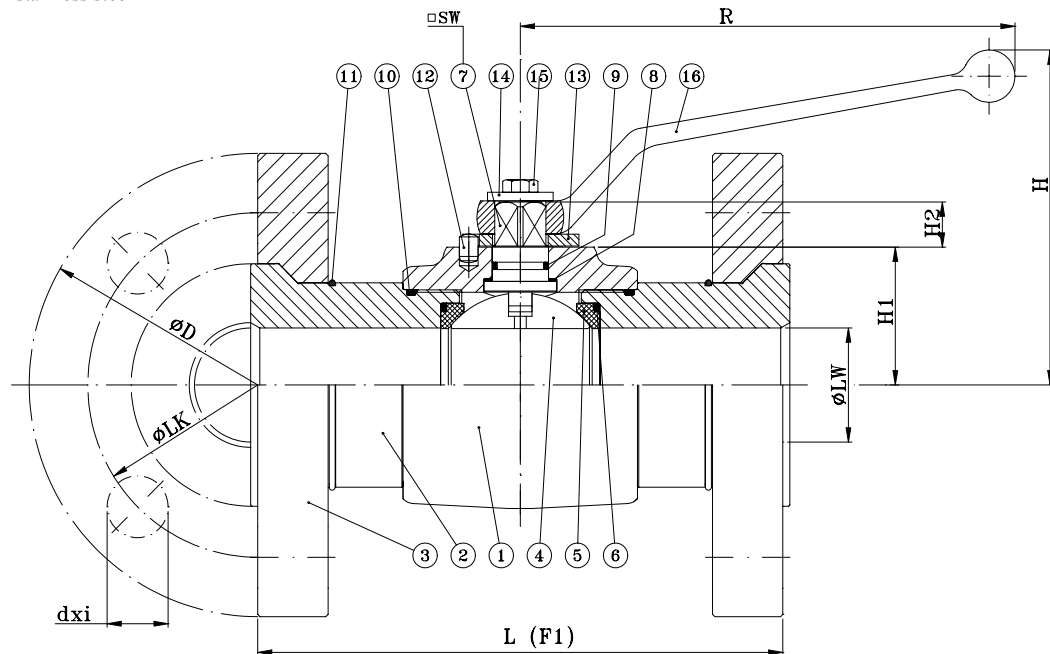
Application: Hydraulic-Chemical-Refinery-Shipyard-Plan factory
for media: Oils, Gases, Fuels, Compressed air etc.

Design features:

- Full bore acc. to ISO • Anti-blow out stem
- Maintenance free • Low pressure and vacuum usable
- ♦ F4-face to face to PN40, ISO-bore for automation (optional)

➤ **More information on your inquiry!**

Art. FRKH in stainless steel



Dimensions in mm

Pos.	Benennung	Description	Materials steel (Hydraulic)	Materials stainless steel	Piece
1	Gehäuse	Body	C22.8 or St52-3	1.4571	1
2	Gehäusestutzen	End adapter	C22.8 or St52-3	1.4571	2
3	Gehäuseflansch	Body flange	C22.8 or St52-3	1.4571	2
4	Kugel	Ball	Steel (1.4471 optional)	1.4571	2
5	Kugeldichtung	Ball seat	POM (PTFE,PEEK optional)	POM (PTFE,PEEK optional)	2
6	O-Ring	O-ring	NBR (Viton, EPDM optional)	NBR (Viton, EPDM optional)	2
7	Schaltwelle	Stem	Steel (1.4471 optional)	1.4571	1
8	Anlaufscheibe	Thrust ring	POM (PTFE optional)	POM (PTFE optional)	1
9	Schaltwellendichtung (O-Ring)	Stem o-ring	NBR (Viton, EPDM optional)	NBR (Viton, EPDM optional)	1
10	Gehäusedichtung (O-Ring)	Body o-ring	NBR (Viton, EPDM optional)	NBR (Viton, EPDM optional)	2
11	Sicherungsring	Ring	Steel zinc	Stainless steel	2
12	Anschlag	Stop	Steel zinc	Stainless steel	1
13	Anschlagscheibe	Stop washer	Steel zinc	Stainless steel	1
14	Scheibe	Washer	Steel zinc	Stainless steel	1
15	Sechskantschraube	Screw	Steel 8.8	Stainless steel 8.8	1
16	Handhebel	Handle	Zinc cast alloy (Steel, VA op.)	Zinc cast alloy (Steel, VA op.)	1

DN	ØLW	L (F1)	H	H1	H2	R	□ SW	ØD(PN160)	ØLK(PN160)	dxi(PN160)	Kg(PN160)
15	15	130	96,0	27,0	16	165	12	105	75	14x4	3,3
20	20	150	101,5	32,5	16	165	14	130	90	18x4	5,2
25	24	160	104,0	35,0	16	165	14	140	100	18x4	7,3
32	32	180	107,5	46,0	20	211	17	155	110	22x4	10,4
40	38	200	111,0	50,5	19	211	17	170	125	22x4	12,5
50	48	230	126,5	61,0	19	211	19	195	145	26x4	18,2