



Technical daten

Connection: Thread acc. to DIN/ISO 228

Diameters size: DN4 up to DN 40 (G1/8" up to G2")

Pressure range: PN600 up to PN420

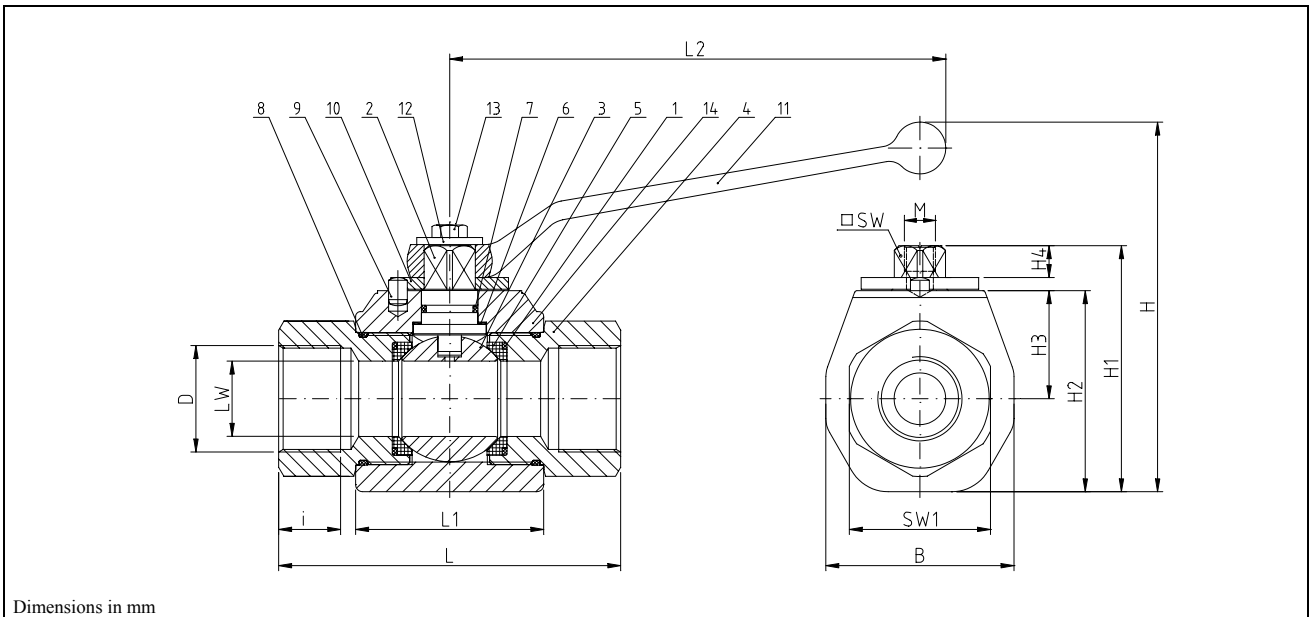
Temperature range: -20°C up to +100°C (optional max. 220°C)
(depending from working pressure)

Application: Hydraulic, Automobile-, Mining- and Paint industry
for media: Oils, Gases, Steam, Compressed air etc.

Design features:

- Maintenance free • Anti-blow out stem
- Low pressure and vacuum usable
- ♦ Bore for automation, Automatic closing device (optional)

➤ **More information on your inquiry!**



Dimensions in mm

| Pos. | Benennung | Description | Materials Standard (Hydraulic) | Materials (korrosive fluids) | Piece |
|------|----------------------|-------------|--|--|-------|
| 1 | Gehäuse | Body | Steel 9SMn28K | Steel 9SMn28K | 1 |
| 2 | Schaltwelle | Stem | Steel zinc 9SMn28K | Steel zinc 9SMn28K | 1 |
| 3 | Kugel | Ball | Steel nickel 9SMn28K | Steel nickel 9SMn28K | 1 |
| 4 | Anschlußstutzen | Adapter | Steel 9SMn28K | Steel 9SMn28K | 2 |
| 5 | Kugeldichtung | Ball seat | Polyamid | PTFE | 2 |
| 6 | Lauftring | Thrust ring | PTFE | PTFE | 1 |
| 7 | Schaltwellendichtung | Stem o-ring | NBR | Viton | 1 |
| 8 | Gehäusedichtung | Body o-ring | NBR | Viton | 2 |
| 9 | Anschlagsift | Stop | Steel | Steel | 1 |
| 10 | Anschlagscheibe | Stop washer | Steel zinc | Steel zinc | 1 |
| 11 | Handhebel | Handle | Zinc (steel, stainless steel optional) | Zinc (steel, stainless steel optional) | 1 |
| 12 | Scheibe | Washer | Steel zinc | Steel zinc | 1 |
| 13 | Schraube | Screws | Steel 8.8 | Steel 8.8 | 1 |

| DN | LW | D | i | L | L1 | L2 | B | H | H1 | H2 | H3 | H4 | □SW | SW1 | M | PN | Kg |
|----|----|----------|----|-----|-----|-----|-----|-------|------|-----|------|------|-----|-----|----|-----|------|
| 4 | 5 | G 1/8" | 9 | 69 | 35 | 107 | 35 | 77,5 | 49,5 | 38 | 19 | 8 | 9 | 22 | M5 | 600 | 0,35 |
| 6 | 6 | G 1/4" | 12 | 69 | 35 | 107 | 35 | 77,5 | 49,5 | 38 | 19 | 8 | 9 | 22 | M5 | 600 | 0,35 |
| 10 | 8 | G 3/8" | 12 | 69 | 42 | 107 | 35 | 77 | 49 | 38 | 21,5 | 8 | 9 | 22 | M5 | 500 | 0,35 |
| 10 | 10 | G 3/8" | 12 | 73 | 42 | 107 | 35 | 77 | 49 | 38 | 21,5 | 8 | 9 | 27 | M5 | 500 | 0,50 |
| 13 | 13 | G 1/2" | 14 | 85 | 47 | 107 | 38 | 79 | 51 | 40 | 22,5 | 8 | 9 | 30 | M5 | 500 | 0,65 |
| 20 | 20 | G 3/4" | 17 | 96 | 61 | 165 | 49 | 126 | 73 | 57 | 32,5 | 12 | 14 | 41 | M6 | 420 | 1,50 |
| 25 | 24 | G 1" | 19 | 113 | 65 | 165 | 58 | 132 | 79 | 63 | 35 | 12 | 14 | 46 | M6 | 420 | 2,00 |
| 32 | 24 | G 1 1/4" | 20 | 121 | 80 | 211 | 76 | 145,5 | 104 | 84 | 46 | 13,5 | 17 | 50 | M8 | 420 | 2,10 |
| 40 | 24 | G 1 1/2" | 24 | 124 | 85 | 211 | 84 | 152,5 | 111 | 92 | 50 | 13,5 | 17 | 55 | M8 | 420 | 2,10 |
| 32 | 32 | G 1 1/4" | 20 | 110 | 80 | 211 | 76 | 145,5 | 104 | 84 | 46 | 13,5 | 17 | 60 | M8 | 420 | 3,20 |
| 40 | 32 | G 1 1/2" | 24 | 135 | 85 | 211 | 84 | 152,5 | 111 | 92 | 50 | 13,5 | 17 | 60 | M8 | 420 | 3,20 |
| 40 | 38 | G 1 1/2" | 22 | 120 | 85 | 211 | 84 | 152,5 | 111 | 92 | 50 | 13,5 | 17 | 70 | M8 | 420 | 4,00 |
| 50 | 38 | G 2" | 26 | 147 | 100 | 211 | 100 | 176,5 | 130 | 111 | 61 | 13,5 | 19 | 75 | M8 | 420 | 4,70 |
| 50 | 48 | G 2" | 28 | 140 | 100 | 211 | 100 | 176,5 | 130 | 111 | 61 | 12,5 | 19 | 85 | M8 | 420 | 5,90 |



Technical data

Connection: Thread acc. to DIN/ISO 228

Diameters size: DN4 up to DN 40 (M12 up to M52)

Pressure range: PN600 up to PN420

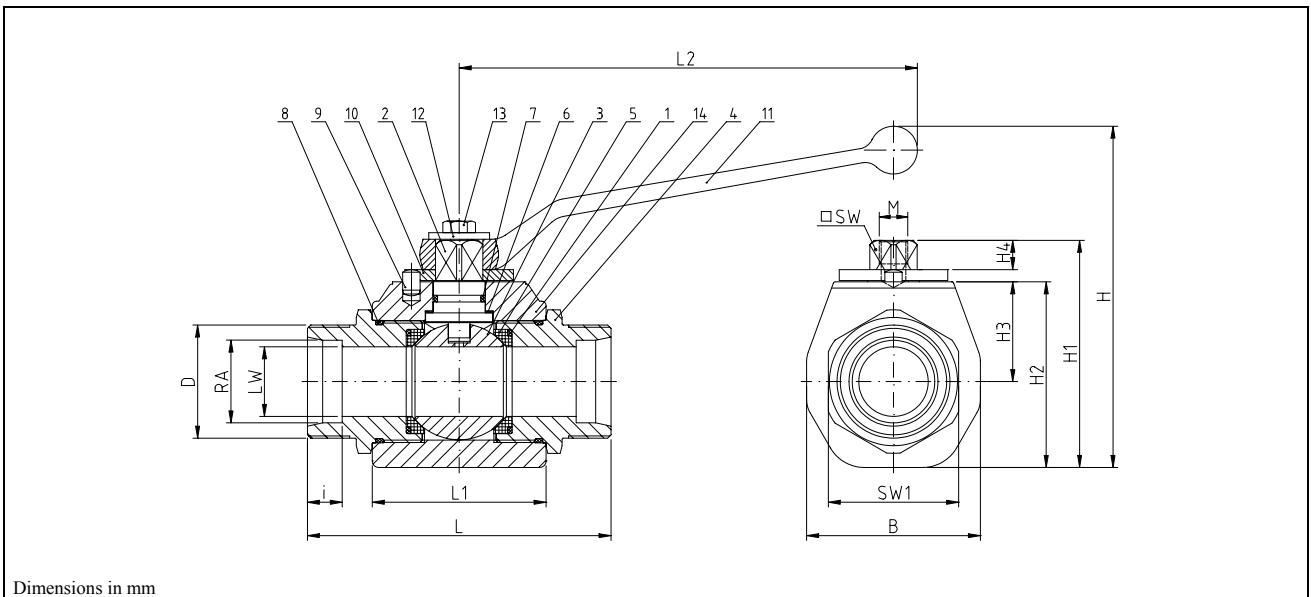
Temperature range: -20°C up to +100°C (optional max. 220°C)
(depending from working pressure)

Application: Hydraulic, Automobile-, Mining- and Paint industry
for media: Oils, Gases, Steam, Compressed air etc.

Design features:

- Maintenance free • Anti-blow out stem
- Low pressure and vacuum usable
- ♦ Bore for automation, Automatic closing device (optional)

➔ **More information on your inquiry!**



Dimensions in mm

| Pos. | Benennung | Description | Materials Standard (Hydraulic) | Materials (korrosive fluids) | Piece |
|------|----------------------|-------------|--|--|-------|
| 1 | Gehäuse | Body | Steel 9SMn28K | Steel 9SMn28K | 1 |
| 2 | Schaltwelle | Stem | Steel zinc 9SMn28K | Steel zinc 9SMn28K | 1 |
| 3 | Kugel | Ball | Steel nickel 9SMn28K | Steel nickel 9SMn28K | 1 |
| 4 | Anschlußstutzen | Adapter | Steel 9SMn28K | Steel 9SMn28K | 2 |
| 5 | Kugeldichtung | Ball seat | Polyamid | PTFE | 2 |
| 6 | Lauftring | Thrust ring | PTFE | PTFE | 1 |
| 7 | Schaltwellendichtung | Stem o-ring | NBR | Viton | 1 |
| 8 | Gehäusedichtung | Body o-ring | NBR | Viton | 2 |
| 9 | Anschlagsift | Stop | Steel | Steel | 1 |
| 10 | Anschlagscheibe | Stop washer | Steel zinc | Steel zinc | 1 |
| 11 | Handhebel | Handle | Zinc (steel, stainless steel optional) | Zinc (steel, stainless steel optional) | 1 |
| 12 | Scheibe | Washer | Steel zinc | Steel zinc | 1 |
| 13 | Schraube | Screws | Steel 8.8 | Steel 8.8 | 1 |

| DN | LW | D | RA | i | L | L1 | L2 | B | H | H1 | H2 | H3 | H4 | □SW | SW1 | M | PN | Kg |
|----|----|---------|----|----|-----|----|-----|----|-------|------|----|------|------|-----|-----|----|-----|------|
| 4 | 5 | M12x1,5 | 6 | 7 | 67 | 35 | 107 | 35 | 77,5 | 49,5 | 38 | 19 | 8 | 9 | 22 | M5 | 600 | 0,30 |
| 6 | 6 | M14x1,5 | 8 | 7 | 67 | 35 | 107 | 35 | 77,5 | 49,5 | 38 | 19 | 8 | 9 | 22 | M5 | 600 | 0,30 |
| 8 | 8 | M16x1,5 | 10 | 8 | 71 | 35 | 107 | 35 | 77,5 | 49,5 | 38 | 19 | 8 | 9 | 22 | M5 | 500 | 0,30 |
| 10 | 8 | M18x1,5 | 12 | 8 | 71 | 42 | 107 | 35 | 77 | 49 | 38 | 21,5 | 8 | 9 | 22 | M5 | 500 | 0,30 |
| 10 | 10 | M18x1,5 | 12 | 8 | 75 | 42 | 107 | 35 | 77 | 49 | 38 | 21,5 | 8 | 9 | 27 | M5 | 500 | 0,50 |
| 13 | 10 | M22x1,5 | 15 | 9 | 77 | 47 | 107 | 38 | 79 | 51 | 40 | 22,5 | 8 | 9 | 27 | M5 | 500 | 0,50 |
| 13 | 13 | M22x1,5 | 15 | 9 | 84 | 47 | 107 | 38 | 79 | 51 | 40 | 22,5 | 8 | 9 | 30 | M5 | 500 | 0,60 |
| 16 | 13 | M26x1,5 | 18 | 9 | 84 | 47 | 107 | 38 | 79 | 51 | 40 | 22,5 | 8 | 9 | 30 | M5 | 500 | 0,60 |
| 20 | 20 | M30x2,0 | 22 | 11 | 102 | 61 | 165 | 49 | 126 | 73 | 57 | 32,5 | 12 | 14 | 41 | M6 | 420 | 1,50 |
| 25 | 24 | M36x2,0 | 28 | 11 | 108 | 65 | 165 | 58 | 132 | 79 | 63 | 35 | 12 | 14 | 46 | M6 | 420 | 2,00 |
| 32 | 24 | M45x2,0 | 35 | 13 | 114 | 80 | 211 | 76 | 145,5 | 104 | 84 | 46 | 13,5 | 17 | 50 | M8 | 420 | 2,10 |
| 40 | 24 | M52x2,0 | 42 | 13 | 114 | 85 | 211 | 84 | 152,5 | 111 | 92 | 50 | 13,5 | 17 | 55 | M8 | 420 | 2,20 |
| 32 | 32 | M45x2,0 | 35 | 13 | 128 | 80 | 211 | 76 | 145,5 | 104 | 84 | 46 | 13,5 | 17 | 60 | M8 | 420 | 3,30 |
| 40 | 32 | M52x2,0 | 42 | 13 | 128 | 85 | 211 | 84 | 152,5 | 111 | 92 | 50 | 13,5 | 17 | 60 | M8 | 420 | 3,00 |
| 40 | 38 | M52x2,0 | 42 | 13 | 133 | 85 | 211 | 84 | 152,5 | 111 | 92 | 50 | 13,5 | 17 | 70 | M8 | 420 | 3,80 |



Technical data

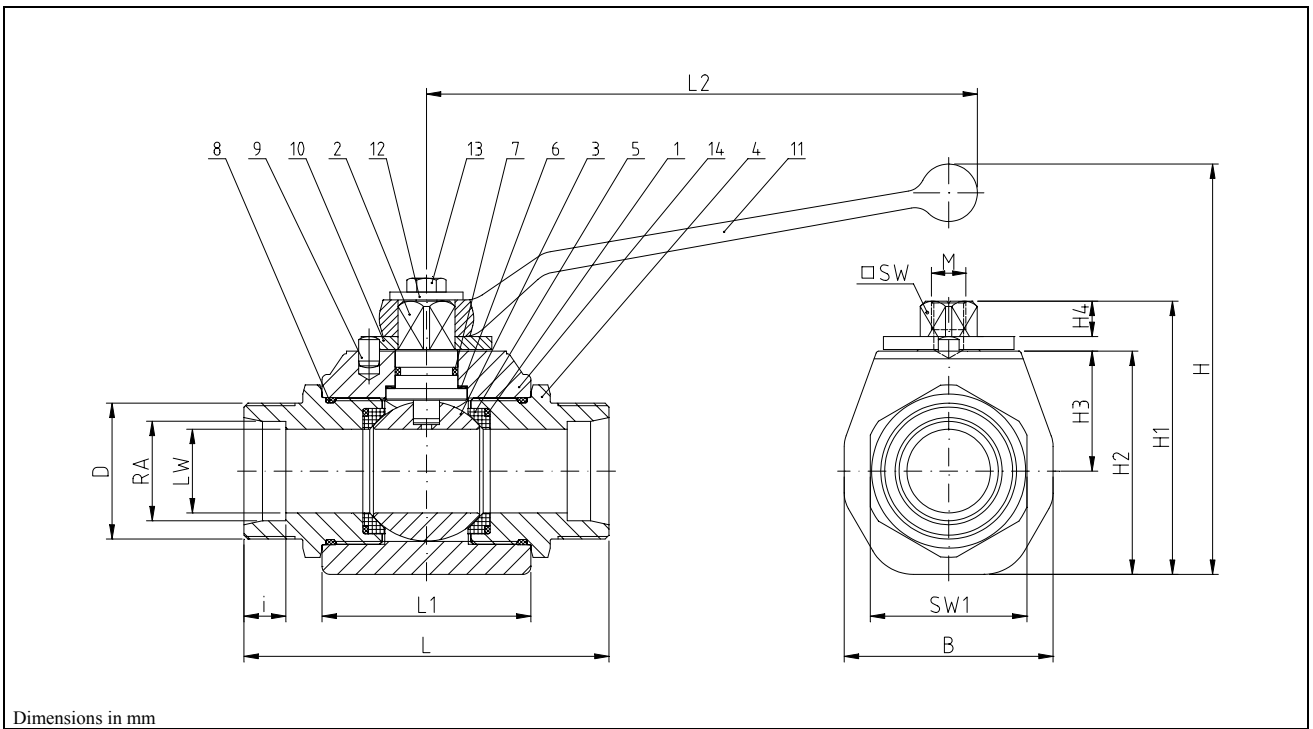
Connection: Thread acc. to DIN/ISO 228
Diameters size: DN4 up to DN 40 (M12 up to M52)
Pressure range: PN600 up to PN420
Temperature range: -20°C up to +100°C (optional max. 220°C)
 (depending from working pressure)

Application: Hydraulic, Automobile-, Mining- and Paint industry
 for media: Oils, Gases, Steam, Compressed air etc.

Design features:

- Maintenance free • Anti-blow out stem
- Low pressure and vacuum usable
- ♦ Bore for automation, Automatic closing device (optional)

➔ **More information on your inquiry!**



Dimensions in mm

| Pos. | Benennung | Description | Materials Standard (Hydraulic) | Materials (korrosive fluids) | Piece |
|------|----------------------|-------------|--|--|-------|
| 1 | Gehäuse | Body | Steel 9SMn28K | Steel 9SMn28K | 1 |
| 2 | Schaltwelle | Stem | Steel zinc 9SMn28K | Steel zinc 9SMn28K | 1 |
| 3 | Kugel | Ball | Steel nickel 9SMn28K | Steel nickel 9SMn28K | 1 |
| 4 | Anschlußstutzen | Adapter | Steel 9SMn28K | Steel 9SMn28K | 2 |
| 5 | Kugeldichtung | Ball seat | Polyamid | PTFE | 2 |
| 6 | Lauftring | Thrust ring | PTFE | PTFE | 1 |
| 7 | Schaltwellendichtung | Stem o-ring | NBR | Viton | 1 |
| 8 | Gehäusedichtung | Body o-ring | NBR | Viton | 2 |
| 9 | Anschlagsift | Stop | Steel | Steel | 1 |
| 10 | Anschlagscheibe | Stop washer | Steel zinc | Steel zinc | 1 |
| 11 | Handhebel | Handle | Zinc (steel, stainless steel optional) | Zinc (steel, stainless steel optional) | 1 |
| 12 | Scheibe | Washer | Steel zinc | Steel zinc | 1 |
| 13 | Schraube | Screws | Steel 8.8 | Steel 8.8 | 1 |

| DN | LW | D | RA | i | L | L1 | L2 | B | H | H1 | H2 | H3 | H4 | □SW | SW1 | M | PN | Kg |
|----|----|---------|----|----|-----|----|-----|----|-------|------|----|------|------|-----|-----|----|-----|------|
| 4 | 5 | M16x1,5 | 6 | 9 | 73 | 35 | 107 | 35 | 77,5 | 49,5 | 38 | 19 | 8 | 9 | 22 | M5 | 600 | 0,35 |
| 6 | 6 | M18x1,5 | 10 | 9 | 73 | 35 | 107 | 35 | 77,5 | 49,5 | 38 | 19 | 8 | 9 | 22 | M5 | 600 | 0,35 |
| 8 | 8 | M20x1,5 | 12 | 9 | 77 | 35 | 107 | 35 | 77,5 | 49,5 | 38 | 19 | 8 | 9 | 22 | M5 | 500 | 0,35 |
| 10 | 10 | M22x1,5 | 14 | 11 | 84 | 42 | 107 | 35 | 77 | 49 | 38 | 21,5 | 8 | 9 | 27 | M5 | 500 | 0,50 |
| 13 | 13 | M24x1,5 | 16 | 11 | 87 | 47 | 107 | 38 | 79 | 51 | 40 | 22,5 | 8 | 9 | 30 | M5 | 500 | 0,60 |
| 16 | 13 | M30x2 | 20 | 13 | 91 | 47 | 107 | 38 | 79 | 51 | 40 | 22,5 | 8 | 9 | 30 | M5 | 500 | 0,65 |
| 20 | 20 | M36x2,0 | 25 | 15 | 110 | 61 | 165 | 49 | 126 | 73 | 57 | 32,5 | 12 | 14 | 41 | M6 | 420 | 1,50 |
| 25 | 24 | M42x2,0 | 30 | 17 | 120 | 65 | 165 | 58 | 132 | 79 | 63 | 35 | 12 | 14 | 46 | M6 | 420 | 2,10 |
| 32 | 24 | M52x2,0 | 38 | 19 | 125 | 80 | 211 | 76 | 145,5 | 104 | 84 | 46 | 13,5 | 17 | 55 | M8 | 420 | 2,30 |
| 32 | 32 | M522,0 | 38 | 19 | 140 | 80 | 211 | 76 | 145,5 | 104 | 84 | 46 | 13,5 | 17 | 60 | M8 | 420 | 3,10 |